

Postal Rates

First Class Mail

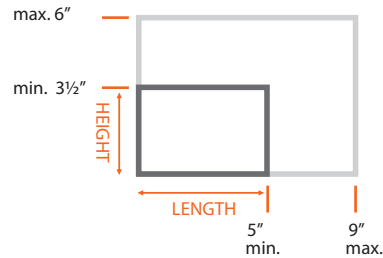
EFFECTIVE August 29, 2021

Quick Size Reference

First-Class Mail Domestic—Retail

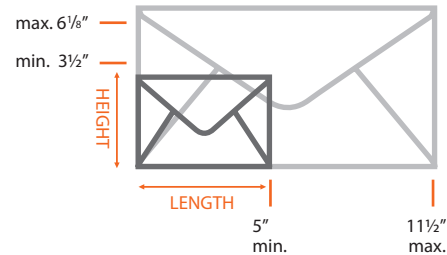
POSTCARDS

	min.	max.
LENGTH	5"	9"
HEIGHT	3½"	6"
THICKNESS	.007"	.016"



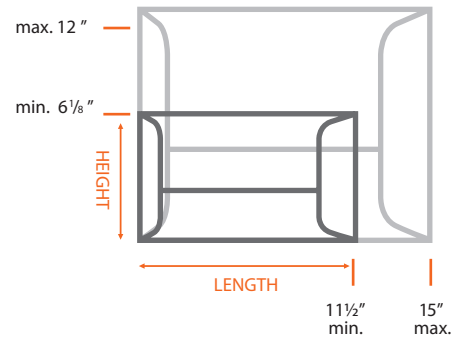
LETTERS

	min.	max.
LENGTH	5"	11½"
HEIGHT	3½"	6⅛"
THICKNESS	.007"	.25"



LARGE ENVELOPES / FLATS

	min.*	max.
LENGTH	11½"	15"
HEIGHT	6⅛"	12"
THICKNESS	.25"	.75"



* Flats exceed at least one of these dimensions.

COMMERCIAL & RETAIL LETTERS & CARDS

Weigh Not Over (ounces)	COMMERCIAL					RETAIL - SINGLE PIECE		
	AUTOMATION ¹			NONAUTOMATION MACHINABLE		LETTERS ¹ (Stamped)	LETTERS ¹ (Metered/Permit)	FLATS ² (Large Envelopes)
	5-Digit	AADC	Mixed AADC	AADC	Mixed AADC			
1	\$.426	\$.461	\$.485	\$.461	\$.494	\$.58	\$.53	\$ 1.16
2	.426	.461	.485	.461	.494	.78	.73	1.36
3	.426	.461	.485	.461	.494	.98	.93	1.56
3.5 ³	.426	.461	.485	.461	.494	1.18 ³	1.13 ³	--
Postcard ⁴	.306	.318	.326			.40 ⁴	.40 ⁴	
Postcard Machinable Presorted	.335							

1. Subtract \$0.003 for each auto letter/card that complies with the Full-Service Intelligent Mail option requirements.
2. Letters that meet one or more of the nonmachinable characteristics in DMM 201.2.1 are subject to the nonmachinable prices.
3. The maximum weight for machinable letter preparation is 3.5 ounces.
4. The card price applies to each single or double postcard when originally mailed; reply half of double postcard-sized mail piece must be designed for reply mail purposes only.

1. Letters that meet one or more of the nonmachinable characteristics in DMM 101.1.2 are subject to the \$.30 nonmachinable surcharge.
2. Large envelope-sized pieces that are rigid, nonrectangular, or not uniformly thick pay parcel prices.
3. For weights over 3.5 ounces, see large envelope (flat) prices.
4. The card price applies to each single or double postcard sized mailpiece when originally mailed; reply half of double postcard must be designed for reply mail purposes only.
5. Parcels are subject to a \$0.25 surcharge if they are irregularly shaped, such as rolls, tubes and triangles.

COMMERCIAL FLATS (Large Envelopes)

Weight Not Over (ounces) ¹	AUTOMATION ²				NON-AUTOMATION	RETAIL-SINGLE PIECE
	5-Digit	3-Digit	ADC	Mixed ADC	Presorted	Large Envelopes
1	\$.555	\$.730	\$.783	\$.891	\$ 1.00	\$ 1.16
2	.755	.930	.983	1.091	1.20	1.36
3	.955	1.130	1.183	1.291	1.40	1.56
4	1.155	1.330	1.383	1.491	1.60	1.76
5	1.355	1.530	1.583	1.691	1.80	1.96
6	1.555	1.730	1.783	1.891	2.00	2.16
7	1.755	1.930	1.983	2.091	2.20	2.36
8	1.955	2.130	2.183	2.291	2.40	2.56
9	2.155	2.330	2.383	2.491	2.60	2.76
10	2.355	2.530	2.583	2.691	2.80	2.96
11	2.555	2.730	2.783	2.891	3.00	3.16
12	2.755	2.930	2.983	3.091	3.20	3.36
13	2.955	3.130	3.183	3.291	3.40	3.56

1. Large envelopes (flats) with certain characteristics (see DMM 201.4.7) are subject to parcel prices.
2. Subtract \$0.003 for each automation flat that complies with the Full-Service Intelligent Mail option requirements.



44 Manson Libby Road
PO Box 10
Scarborough, ME 04070-0010



800 883 6930 PHONE
207 883 2160 FAX

thinkdmm.com

Printed using DMM's Xerox iGen 4 technology.

Postal Rates

Marketing Mail - Commercial

COMMERCIAL LETTERS

	Entry Discount	CARRIER ROUTE ^{1,2}				AUTOMATION ¹			MACHINABLE Nonautomation	
		Saturation	High Density Plus	High Density	Basic	5-Digit	AADC	Mixed AADC	AADC	Mixed AADC
Letters weighing 3.5 oz. or less per piece price	None	\$.197	\$.210	\$.239	\$.332	\$.277	\$.309	\$.330	\$.323	\$.336
	DNDC	.176	.189	.218	.311	.256	.288	.309	.302	.315
	DSCF	.172	.185	.214	.308	.250	.282296	...

	Entry Discount	CARRIER ROUTE Nonautomation ²				NONMACHINABLE Nonautomation			
		Saturation	High Density Plus	High Density	Basic	5-Digit	3-Digit	ADC	Mixed ADC
Letters weighing 4 oz. or less per piece price	None	\$.234	\$.241	\$.289	\$.353	\$.573	\$.697	\$.759	\$.825
	DNDC	.195	.202	.250	.309	.504	.628	.690	.756
	DSCF	.188	.195	.243	.297	.494	.618	.680	...
more than 4 oz. ³ per pound price	None	.630	.630	.630	.822	1.052	1.052	1.052	1.052
	DNDC	.474	.474	.474	.647	.776	.776	.776	.776
	DSCF	.447	.447	.447	.598	.734	.734	.734	...
+ per piece price		+.076	+.083	+.131	+.147	+.310	+.434	+.496	+.562

1. Subtract \$0.003 for each letter that complies with the Full-Service Intelligent Mail option requirements.
2. EDDM letters pay saturation prices.
3. For pieces weighing more than 4 ounces, each piece is subject to both a per piece price and a per pound price. Multiply the number of pieces in the mailing by per piece price. Multiply the number of pounds of the mailing by per pound price. Add both totals.

COMMERCIAL LETTERS Nonprofit

	Entry Discount	CARRIER ROUTE ^{1,2}				AUTOMATION ¹			MACHINABLE Nonautomation	
		Saturation	High Density Plus	High Density	Basic	5-Digit	AADC	Mixed AADC	AADC	Mixed AADC
Letters weighing 3.5 oz. or less per piece price	None	\$.117	\$.125	\$.153	\$.246	\$.146	\$.178	\$.199	\$.192	\$.205
	DNDC	.096	.104	.132	.225	.125	.157	.178	.171	.184
	DSCF	.092	.100	.128	.222	.119	.151165	...

	Entry Discount	CARRIER ROUTE Nonautomation ²				NONMACHINABLE Nonautomation			
		Saturation	High Density Plus	High Density	Basic	5-Digit	3-Digit	ADC	Mixed ADC
Letters weighing 4 oz. or less per piece price	None	\$.146	\$.153	\$.201	\$.265	\$.369	\$.493	\$.555	\$.621
	DNDC	.107	.114	.162	.221	.300	.424	.486	.552
	DSCF	.100	.107	.155	.209	.290	.414	.476	...
more than 4 oz. ³ per pound price	None	.458	.458	.458	.654	.900	.900	.900	.900
	DNDC	.302	.302	.302	.479	.624	.624	.624	.624
	DSCF	.275	.275	.275	.430	.582	.582	.582	...
+ per piece price		+.031	+.038	+.086	+.101	+.144	+.268	+.330	+.396

1. Subtract \$0.003 for each letter that complies with the Full-Service Intelligent Mail option requirements.
2. EDDM letters pay saturation prices.
3. For pieces weighing more than 4 ounces, each piece is subject to both a per piece price and a per pound price. Multiply the number of pieces in the mailing by per piece price. Multiply the number of pounds of the mailing by per pound price. Add both totals.

COMMERCIAL FLATS

	Entry Discount	CARRIER ROUTE ¹				AUTOMATION ¹				NONAUTOMATION			
		Saturation ²	High Density Plus	High Density	Basic	5-Digit	3-Digit	ADC	Mixed ADC	5-Digit	3-Digit	ADC	Mixed ADC
Flats weighing 4 oz. or less per piece price	None	\$.234	\$.241	\$.289	\$.353	\$.482	\$.640	\$.729	\$.798	\$.573	\$.697	\$.759	\$.825
	DNDC	.195	.202	.250	.309	.413	.571	.660	.729	.504	.628	.690	.756
	DDU	.167	.174	.222	.289
more than 4 oz. per pound price ³	None	.630	.630	.630	.822	1.052	1.052	1.052	1.052	1.052	1.052	1.052	1.052
	DNDC	.474	.474	.474	.647	.776	.776	.776	.776	.776	.776	.776	.776
	DDU	.365	.365	.365	.566
+ per piece price		.076	.083	.131	.147	.219	.377	.466	.535	.310	.434	.496	.562

1. Subtract \$0.003 for each letter that complies with the Full-Service Intelligent Mail option (not available for saturation) requirements.
2. For carrier route flats with a detached address label, add \$0.065 per piece; with marketing address label, add \$0.070 per piece.
3. For pieces weighing more than 4 ounces, each piece is subject to both a per piece price and a per pound price. Multiply the number of pieces in the mailing by per piece price. Multiply the number of pounds of the mailing by per pound price. Add both totals.

First-Class International

LETTERS

Weight Not Over (ounces)	PRICE GROUP 1 Canada	PRICE GROUP 2 Mexico	PRICE GROUPS 3-5	PRICE GROUPS 6-9
1	\$1.30	\$1.30	\$1.30	\$1.30
2	1.30	1.96	2.43	2.25
3	1.83	2.60	3.55	3.20
3.5	2.36	3.25	4.68	4.14
Nonmachinable Surcharge (letters only)	\$0.30	\$0.30	\$0.30	\$0.30

POSTCARDS

PRICE GROUP 1 Canada	PRICE GROUP 2 Mexico	PRICE GROUPS 3-5	PRICE GROUPS 6-9
\$1.30	\$1.30	\$1.30	\$1.30